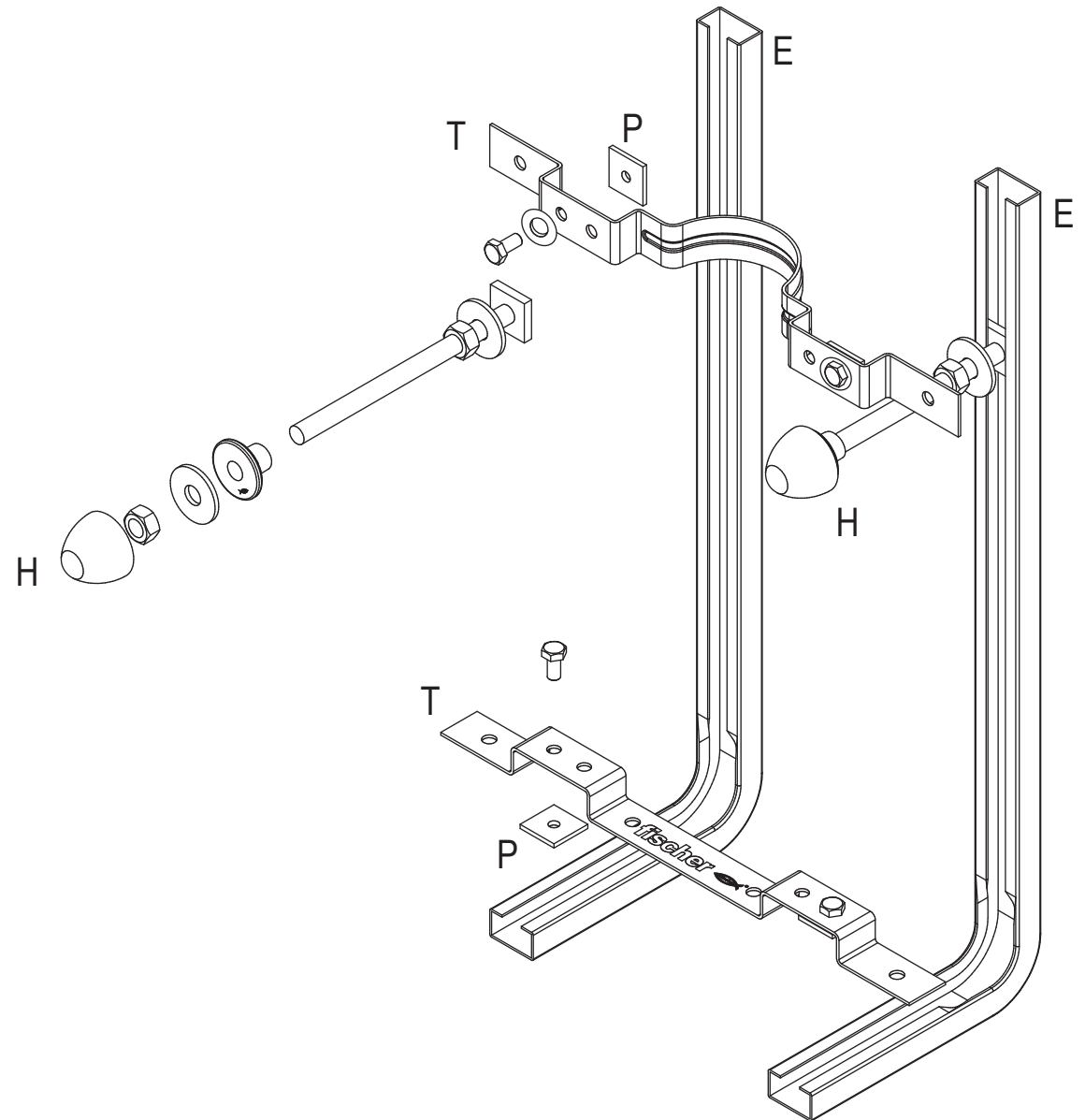


Universal fixing system for wall-mounted W.C. and bidet

- 1) Insert the cross elements T, sliding the plates inside the sections E, after having checked the centre distance C for fixing the sanitary fixture and tighten the M8 bolts.
- 2) Position the M12 threaded bars checking they are both at the same height (A or B) from the floor which depends on the measurements of the fixture you are installing.
- 3) Protect the M12 threaded bars with the sheaths supplied before clamping the system.
- 4) When this is done, install the fixture not forgetting to use the screw caps H.



The system is designed in compliance with the UNI EN 997/2 and 8950/2 standards which specify that wall mounted WCs and bidets must be able to withstand a load of 400 kg